

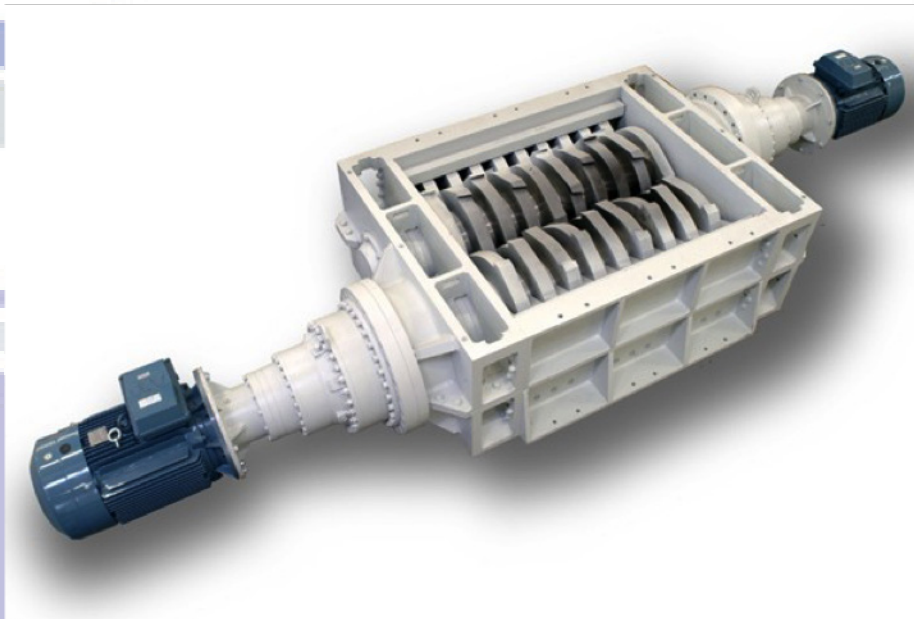
**SA|Eng.**

Soluzioni per l'Ambiente



# SA2 - 1500

TWO SHAFTS SHREDDER



**High torque machine with low speed shafts**

- Shredding chamber size 1500 x 1100 mm
- Electric motor installed directly into the transmission system
- Low maintenance version with fast removal system of shafts and blades
  - Blades thickness 75 mm
- Blades available on different material variable from the shredded wastes

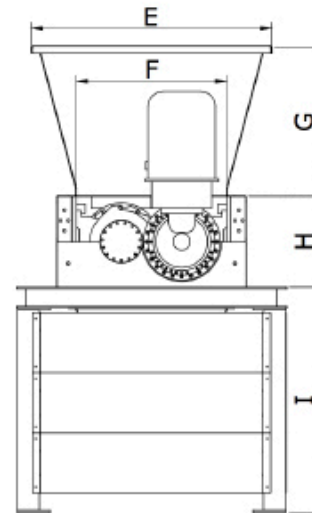
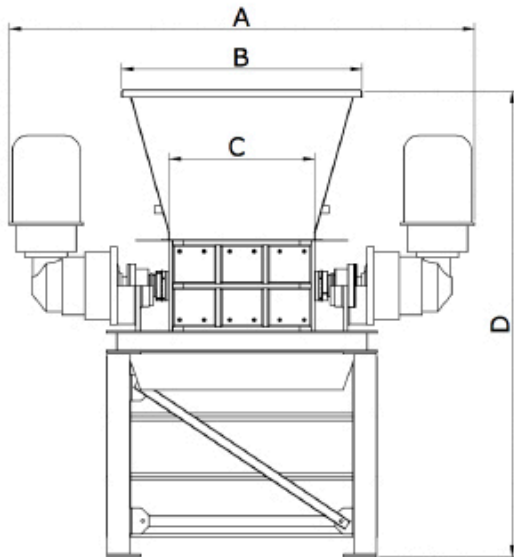
***Ideal for the treatment of:***

***Plastics - Tires - Wood - Electronic waste - Municipal waste***



# SA2 - 1500

TWO SHAFTS SHREDDER



Dimensioni	
A:	3400
B:	2000
C:	1490
D:	3250
E:	1500
F:	1100
G:	1100
H:	650
I:	1500



Visit our website

You're welcome !!  
Come to visit us



## TECHNICAL DETAILS:

<b>• Shredding chamber</b>		
- Chamber size	mm	1500 x 1100 x 650
- Number of shafts	n.	2
- Shafts speed	rpm	21/18
- Number of blades	n.	20
- Blades thickness	mm	75
- Kind of blades		with 4 hook
- Gearboxes	n.	2
- Trasmission system		Direct
<b>• Drive system</b>		
- Electric motor	n.	2
- Installed power	kW	2 x 37
	HP	100
	V	400
- Control system		by PLC
<b>• Machine weight</b>		
	Kg	6000 ca.

*Technical characteristics can be change without notice*